



City of Chicago



O2021-5787

Office of the City Clerk

Document Tracking Sheet

Meeting Date:	12/15/2021
Sponsor(s):	Reilly (42)
Type:	Ordinance
Title:	Awning(s) for Giordano's on Jackson
Committee(s) Assignment:	Committee on Transportation and Public Way

ORDINANCE

GIORDANO'S ON JACKSON

Acct. No.: 369743 - 4

Permit No: BACP1541963

Be It Ordained by the City Council of the City of Chicago:

SECTION 1. Permission and authority are hereby given and granted to GIORDANO'S ON JACKSON upon the terms and subject to the conditions of this ordinance to maintain and use, as now constructed, two (2) Awning with Lettering or Graphics(s) projecting over the public right-of-way adjacent to its premises known as 223 W JACKSON BLVD.

Said Awning with Lettering or Graphics(s) at W. Jackson Blvd measure(s):

One (1) at seventeen point six seven (17.67) feet in length and Zero (0) feet in width for a total of seventeen point six seven (17.67) square feet.

Said Awning with Lettering or Graphics(s) at measure(s):

One (1) at twelve point zero eight (12.08) feet in length and Zero (0) feet in width for a total of twelve point zero eight (12.08) square feet.

The location of said privilege shall be as shown on prints kept on file with the Department of Business Affairs and Consumer Protection and the Office of the City Clerk.

Said privilege shall be constructed in accordance with plans and specifications approved by the Zoning Department - Signs.

This grant of privilege in the public way shall be subject to the provisions of Section 10-28-015 and all other required provisions of the Municipal Code of Chicago.

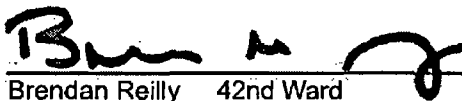
The grantee shall pay to the City of Chicago as compensation for the privilege #BACP1541963 herein granted the sum of one hundred (\$100.00) per annum in advance.

A 25% penalty will be added for payments received after due date.

The permit holder agrees to hold the City of Chicago harmless for any damage, relocation or replacement costs associated with damage, relocation or removal of private property caused by the City performing work in the public way.

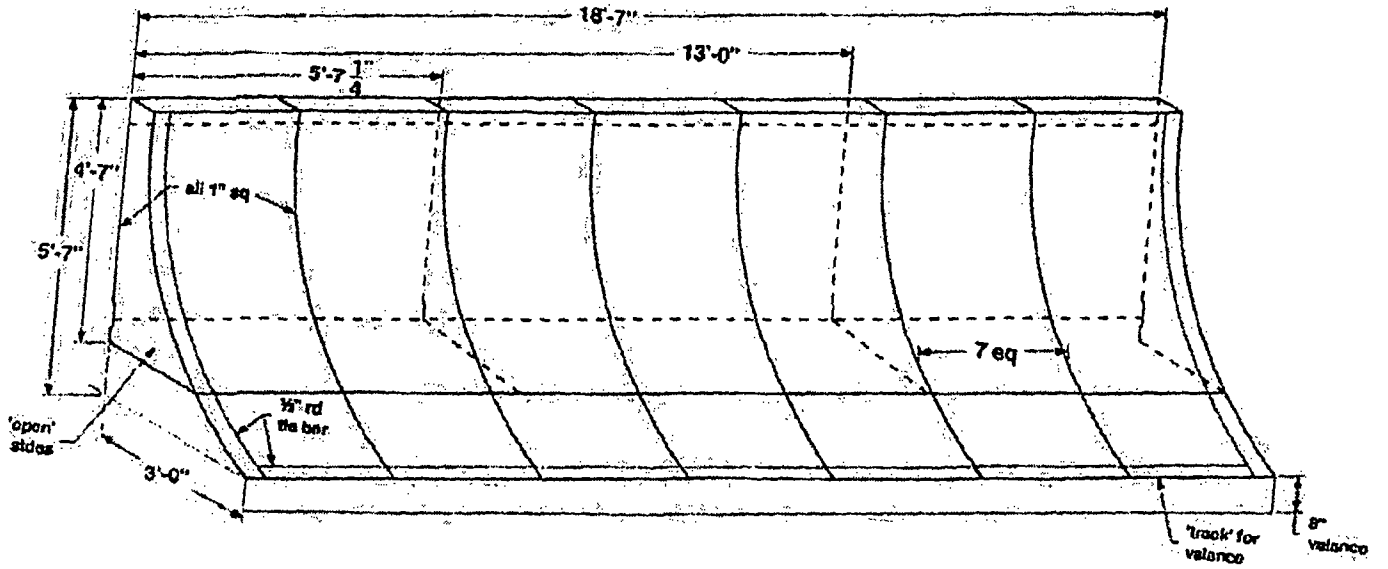
Authority herein given and granted for a period of five (5) years from and after 05/18/2021.

Alderman:


Brendan Reilly 42nd Ward

Job # 723256
Giordano's

iso view, #2





Department of Business Affairs and Consumer Protection
Small Business Center - Public Way Use Unit
City Hall - 121 N. LaSalle Street, Room 800, Chicago, IL 60602
312-74-GOBIZ / 312-744-6249 • (312) 744-1944 (TTY)
<http://www.cityofchicago.org/bacp>

12/15/2021

Alderman Brendan Reilly
Ward # 42
City of Chicago
City Hall, Room 800
121 N. LaSalle Street
Chicago, IL 60602

Re: An ordinance to use and maintain a portion of the public right-of-way for **2 Awning with Lettering or Graphics(s)** for **GIORDANO'S ON JACKSON**, adjacent to the premises known as **223 W JACKSON BLVD**.

Dear Alderman **Brendan Reilly**:

The applicant referenced above has requested the use of the public right-of-way for **Awning with Lettering or Graphics(s)**. An ordinance has been prepared by the Department of Business Affairs and Consumer Protection - Small Business Center - Public Way Use Unit for presentation to the City Council. Because this request was made for properties located in your ward, as approved by you as per the attached, I respectfully request that you introduce the attached ordinance at the next City Council meeting.

If you have any questions regarding this ordinance, please contact Jaime Viramontes at (312) 744-8068.

Department of Business Affairs and Consumer Protection