



City of Chicago



O2019-3272

Office of the City Clerk

Document Tracking Sheet

Meeting Date:	4/10/2019
Sponsor(s):	Pawar (47)
Type:	Ordinance
Title:	Grant(s) of privilege in public way for Sprint Store by MSM
Committee(s) Assignment:	Committee on Transportation and Public Way

ORDINANCE
SPRINT STORE BY MSM
Acct. No. 311682 - 4
Permit No. 1130196

Be It Ordained by the City Council of the City of Chicago:

SECTION 1. Permission and authority are hereby given and granted to SPRINT STORE BY MSM, upon the terms and subject to the conditions of this ordinance to maintain and use two (2) sign(s) projecting over the public right-of-way attached to its premises known as 3954 N. Lincoln Ave..

Said sign structure(s) measures as follows; along N. Lincoln Avenue:

One (1) at nine (9) feet in length, one point five four (1.54) feet in height and nine (9) feet above grade level.

Said sign structure(s) measures as follows; along N. Damen Avenue:

One (1) at nine (9) feet in length, one point five four (1.54) feet in height and nine (9) feet above grade level.

The location of said privilege shall be as shown on prints kept on file with the Department of Business Affairs and Consumer Protection and the Office of the City Clerk.

Said privilege shall be constructed in accordance with plans and specifications approved by the Department of Transportation (Division of Project Development) and Zoning Department - Signs.

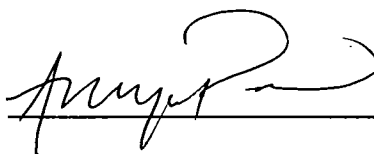
This grant of privilege in the public way shall be subject to the provisions of Section 10-28-015 and all other required provisions of the Municipal Code of Chicago.

The grantee shall pay to the City of Chicago as compensation for the privilege #1130196 herein granted the sum of one hundred seventy-five (\$175.00) per annum in advance.

A 25% penalty will be added for payments received after due date.

The permit holder agrees to hold the City of Chicago harmless for any damage, relocation or replacement costs associated with damage, relocation or removal of private property caused by the City performing work in the public way.

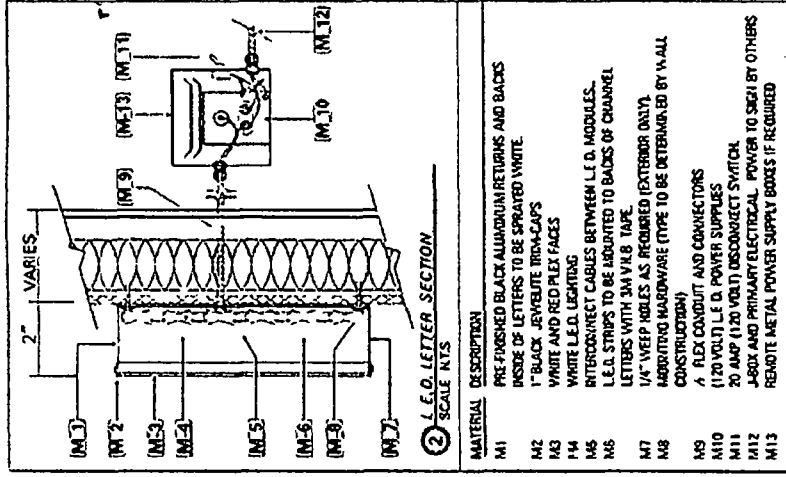
Authority herein given and granted for a period of five (5) years from and after Date of Passage.

Alderman 
Ameya Pawar 47th Ward



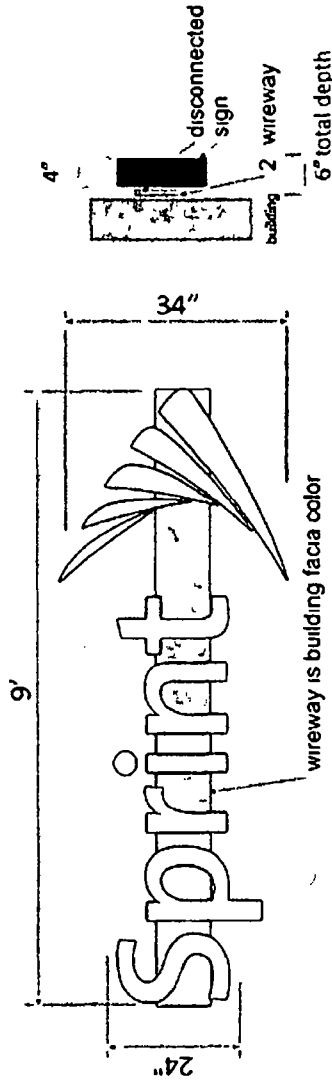
detail

- 2.4" letter led interior
- letter face is white color #7328
- logo is yellow color #2037
- letters mounted wireway
- wireway be painted building local color
- wireway has sign id and UL PROOF switch
- landboard will provide primary electric service line



MATERIAL DESCRIPTION

- M1 PRE-FINISHED BLACK ALUMINUM RETURNS AND BACKS INSIDE OF LETTERS TO BE SPRAYED WHITE.
- M2 1" BLACK JEMULUTE BRIM-CAPS
- M3 WHITE AND RED PLEX FACES
- M4 WHITE L.E.D. LIGHTING
- M5 INTERCONNECT CABLES BETWEEN L.E.D. MODULES.
- M6 L.E.D. STRIPS TO BE MOUNTED TO BACKS OF CHANNEL LETTERS WITH 3M VHB TAPE.
- M7 1/4" WEEP HOLES AS REQUIRED (EXTERIOR ONLY).
- M8 ADJUSTING HARDWARE (TYPE TO BE DETERMINED BY WALL CONSTRUCTION)
- M9 4" FLEX CONDUIT AND CONNECTORS
- M10 (120V) L.E.D. POWER SUPPLIES
- M11 20 AMP (120V) DISCONNECT SWITCH
- M12 J-BOX AND PRIMARY ELECTRICAL POWER TO SIGN BY OTHERS
- M13 REMOTE METAL POWER SUPPLY BOXES IF REQUIRED



Company	MSM Connect Inc		
Contact	Phone		
Address	City State Zip		
City	State Zip		

Customer Approval	Date
Landlord Approval	Date



Sign Repair & Service

signcoplus.com

708-655-7446



Department of Business Affairs and Consumer Protection
Small Business Center - Public Way Use Unit
City Hall - 121 N. LaSalle Street, Room 800 • Chicago, IL 60602
312-74-GOBIZ / 312-744-6249 • (312) 744-1944 (TTY)
<http://www.cityofchicago.org/bacp>

04/10/2019

Alderman **Ameya Pawar**
Ward # 47
City of Chicago
City Hall, Room 200
121 North LaSalle Street
Chicago, Illinois 60602

Re: An ordinance to use and maintain a portion of the public right-of-way for **two (2) sign(s)** for **SPRINT STORE BY MSM**, adjacent to the premises known as **3954 N. Lincoln Ave.**.

Dear Alderman **Ameya Pawar**:

The applicant referenced above has requested the use of the public right-of-way for a **sign(s)**. An ordinance has been prepared by the Department of Business Affairs and Consumer Protection – Small Business Center - Public Way Use Unit for presentation to the City Council. Because this request was made for properties located in your ward, as approved by you as per the attached, I respectfully request that you introduce the attached ordinance at the next City Council meeting.

If you have any questions regarding this ordinance, please contact Anthony Bertuca at (312) 744-5506.

Department of Business Affairs and Consumer Protection